
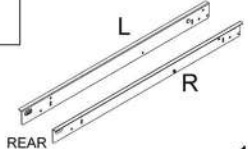
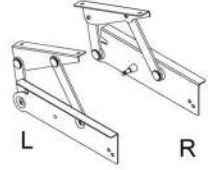




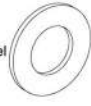



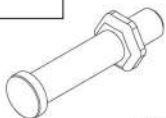






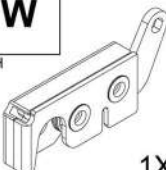
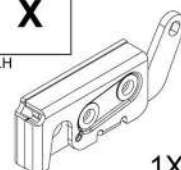




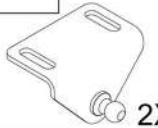

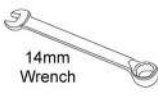




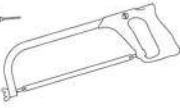


UpStoneEvolve

INSTALLATION INSTRUCTIONS K408

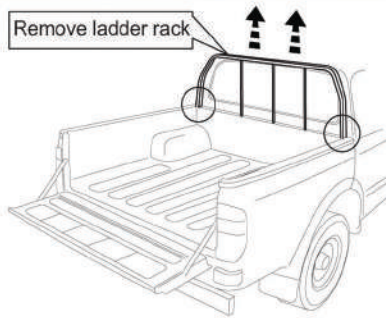
NISSAN NAVARA NP300 2016+

A  1X	B  1X	C  1X	D  2X		
E  2X	F  4X	G M8x25mm  4X	H M8 x16 Stainless Steel Washer  6X	I  2X	J M8 Nylock  4X
K M8 Stainless Steel Spring Washer  2X	L  2X	M  2X			P M6x18  16X
Q M6x13mm Zinc  16X	R M6x10mm  12X			U M10x24mm  4X	V M8 x16 Zinc Washer  8X
W RH  1X	X LH  1X	Y M5 Cable Bolt, Washer & Dome Nut  2X	Z  2X	AA  2X	
AB  1X	AC  2X	<p>Note 1: If at any stage of installation you find your sportlid to be an unacceptable fit please contact the manufacturer before continuing.</p> <p>Note 2: If required, use Under Rail Bed Liner only. NOT FOR USE WITH OVER RAIL BED LINER!</p> <p>Tools Required:</p>        <p>OPTIONAL</p>			

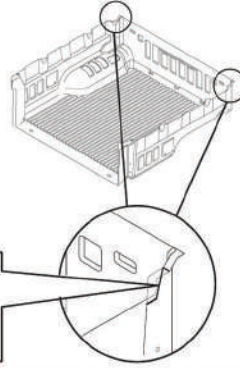
Fitting Kit Number	Product	Revision	Date	Page
K408	Upstone Lid	1	15.09.2016	1 of 7

1

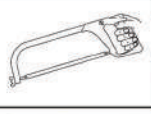
Remove ladder rack



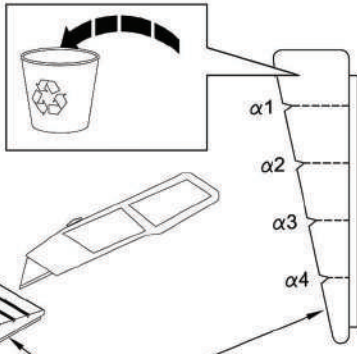
Note 2: If required, use Proform Under Rail Bed Liner only. Not for use with Over Rail Bed Liner.



Follow guide lines to trim liner in front corners.

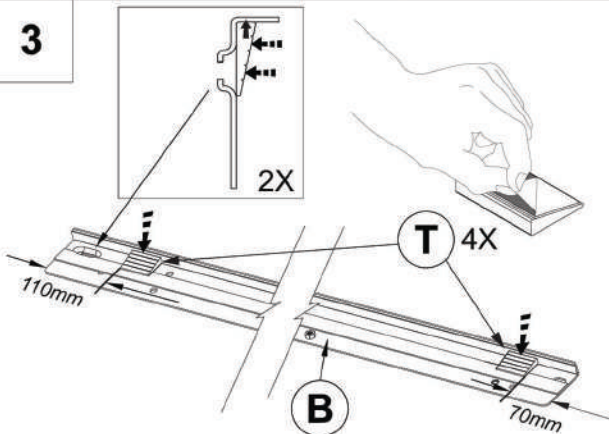


2

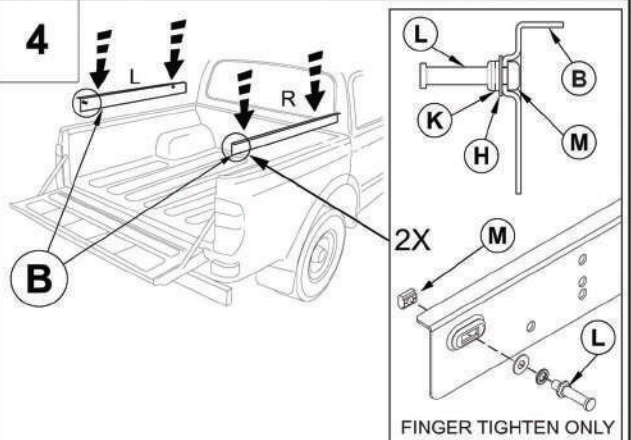


Vehicle Model	α
Nissan Navara NP300 2016+ Double & King cab	2

3



4

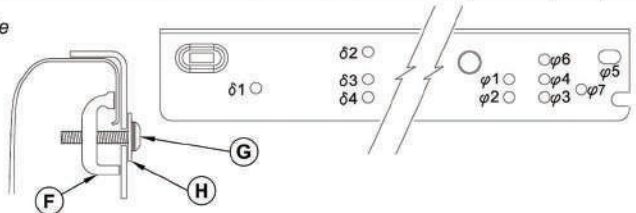
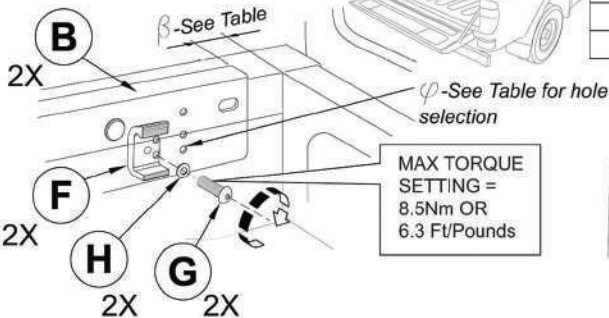


FINGER TIGHTEN ONLY

5

Place front of side mounting brackets back from inside corners of the cargo box - See table for measurement

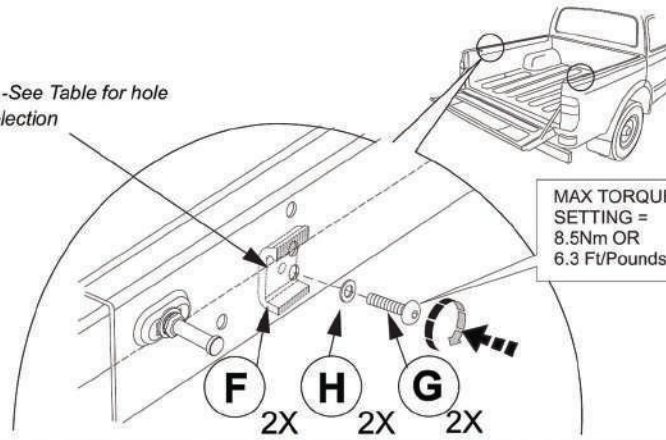
Vehicle Model	β	δ	φ
Nissan Navara NP300 2016+ Double & King cab	80mm	1	7



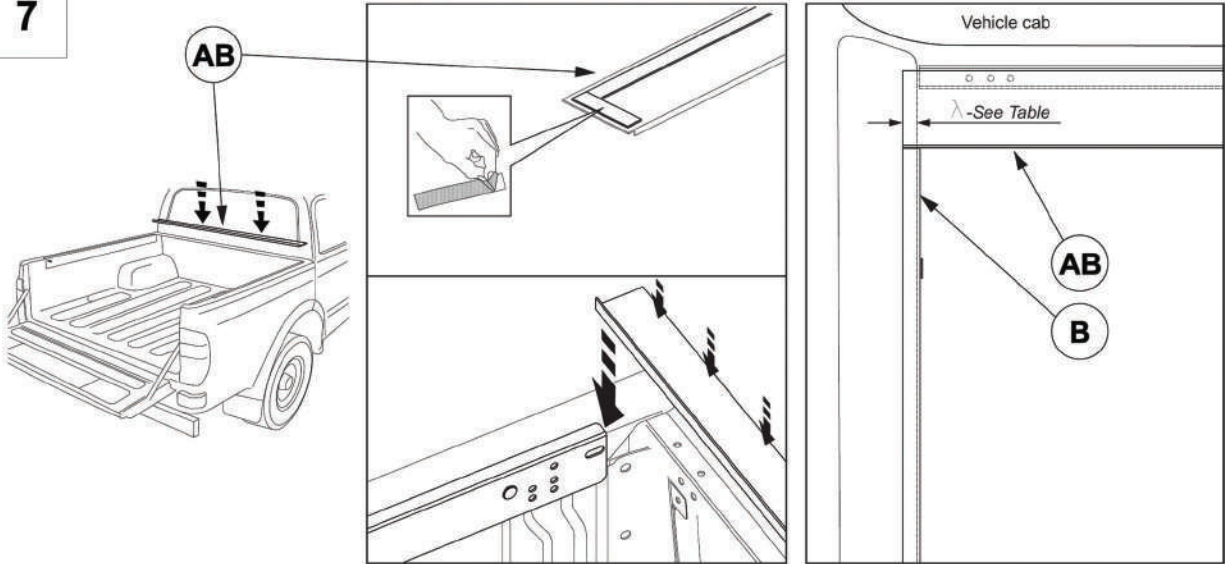
Fitting Kit Number	Product	Revision	Date	Page
K408	Upstone Lid	1	15.09.2016	2 of 7

6


δ -See Table for hole selection



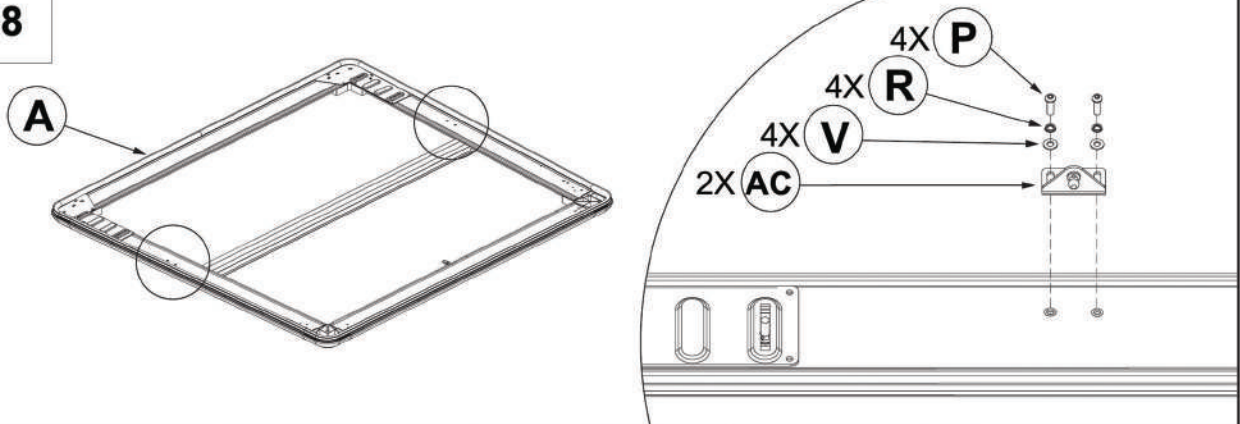
7

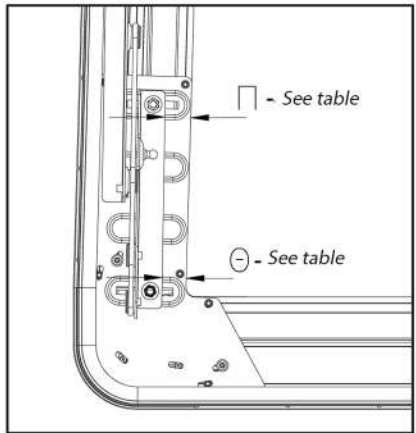
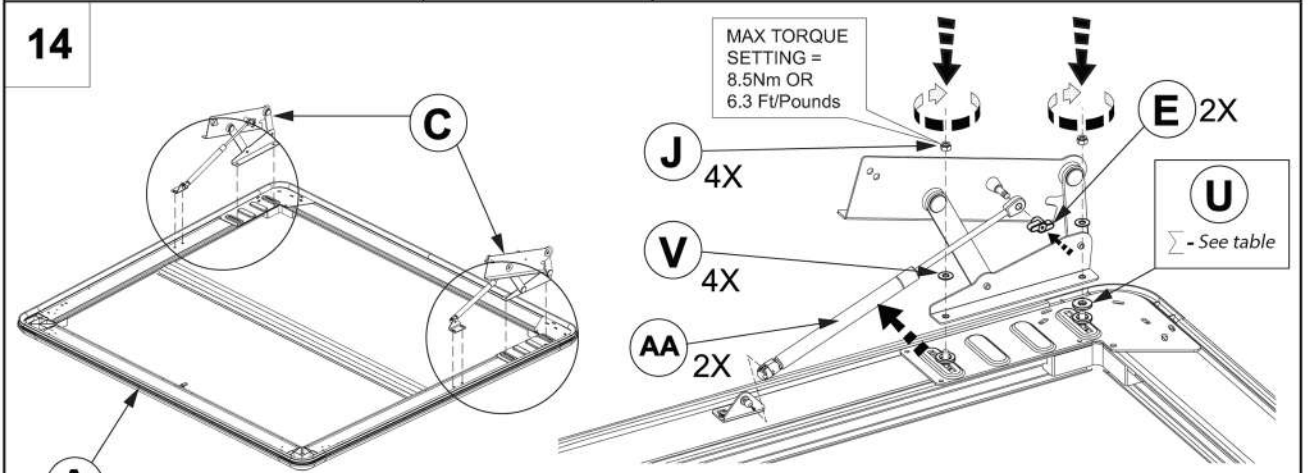
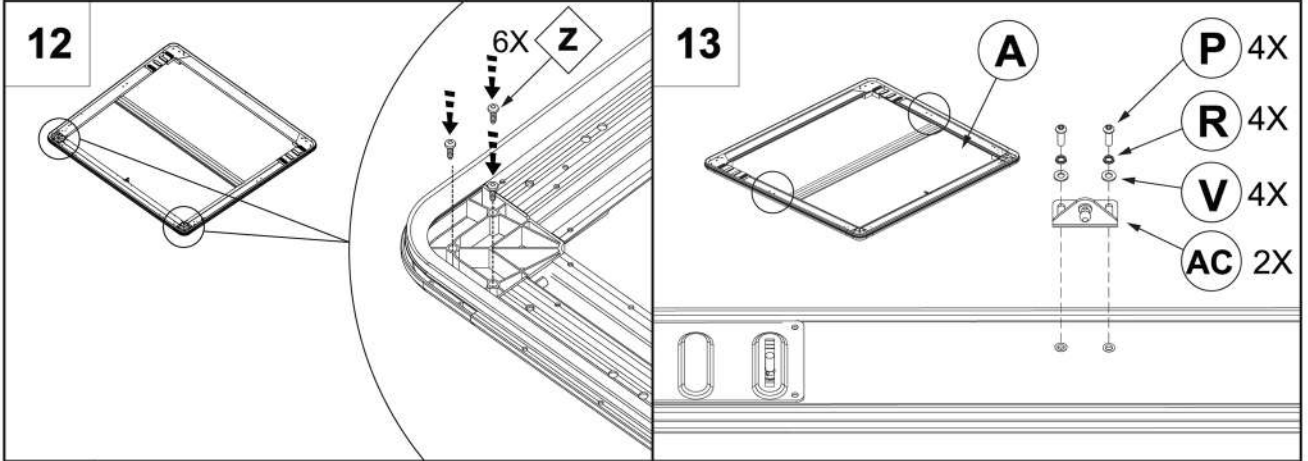
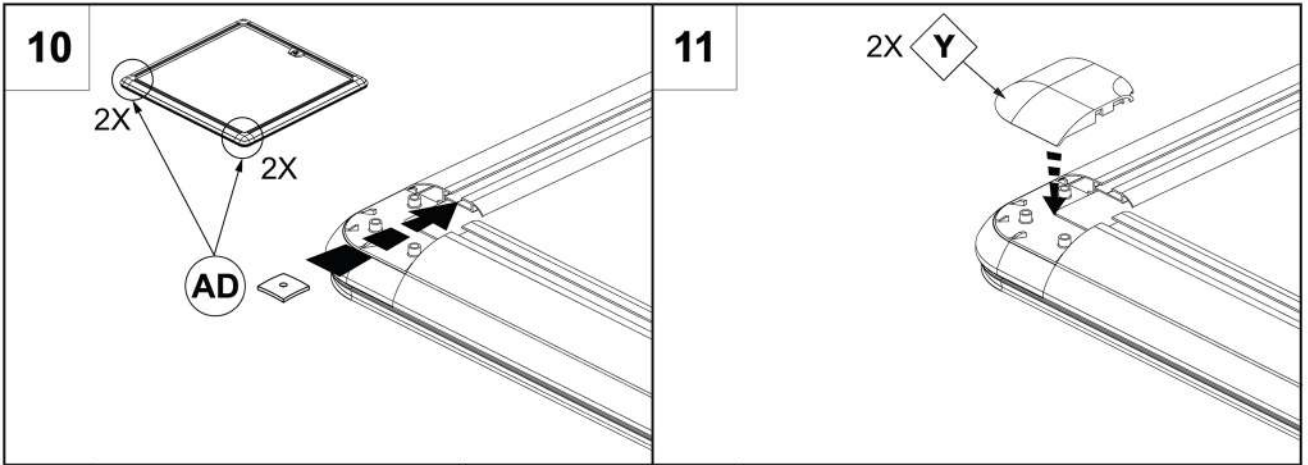


Vehicle Model	λ
Nissan Navara NP300 Double & King cab	25mm

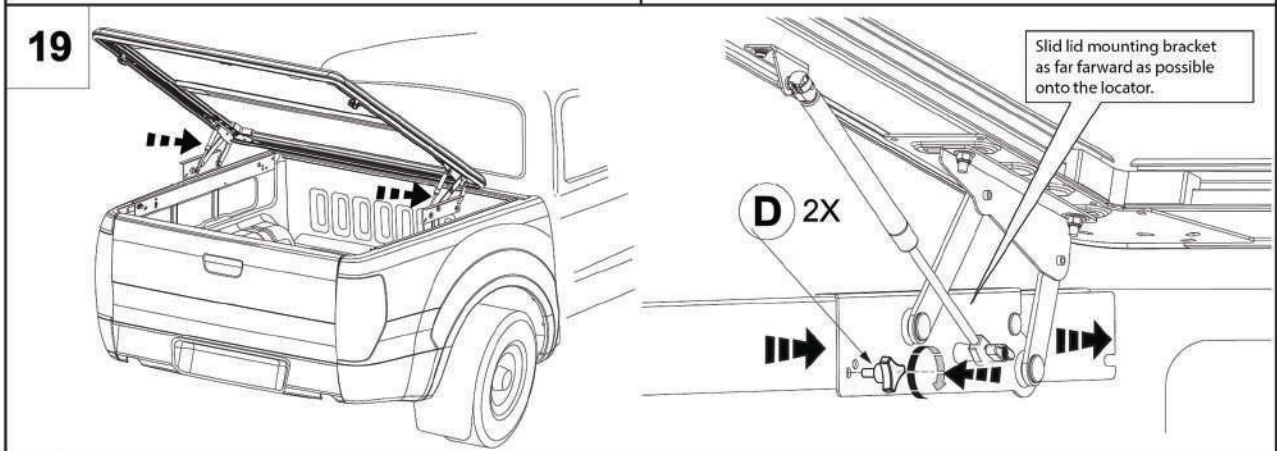
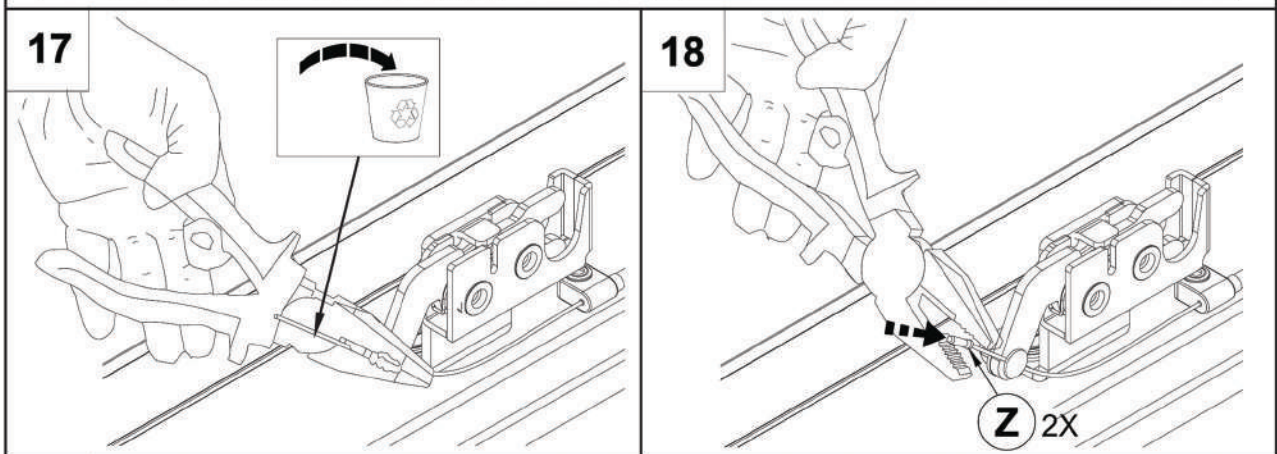
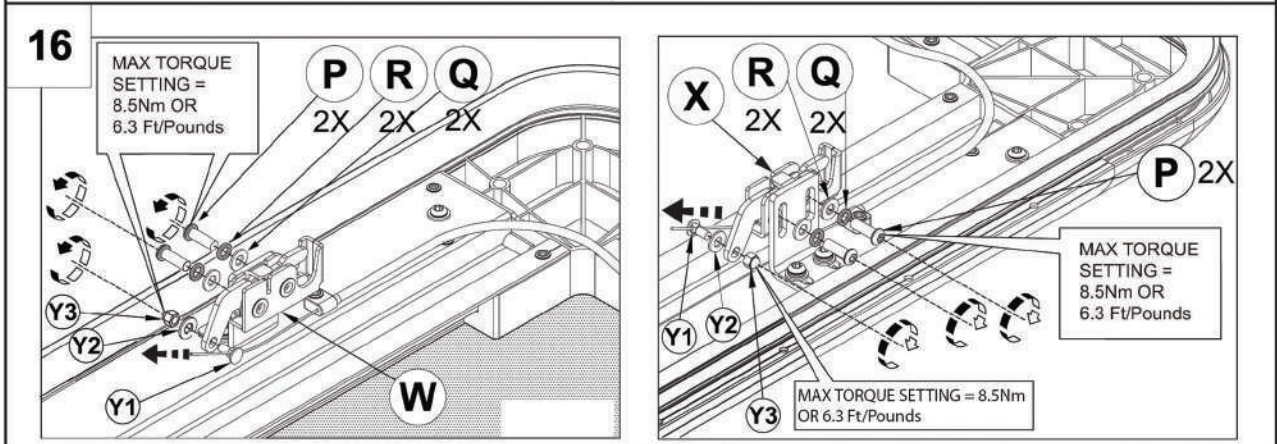
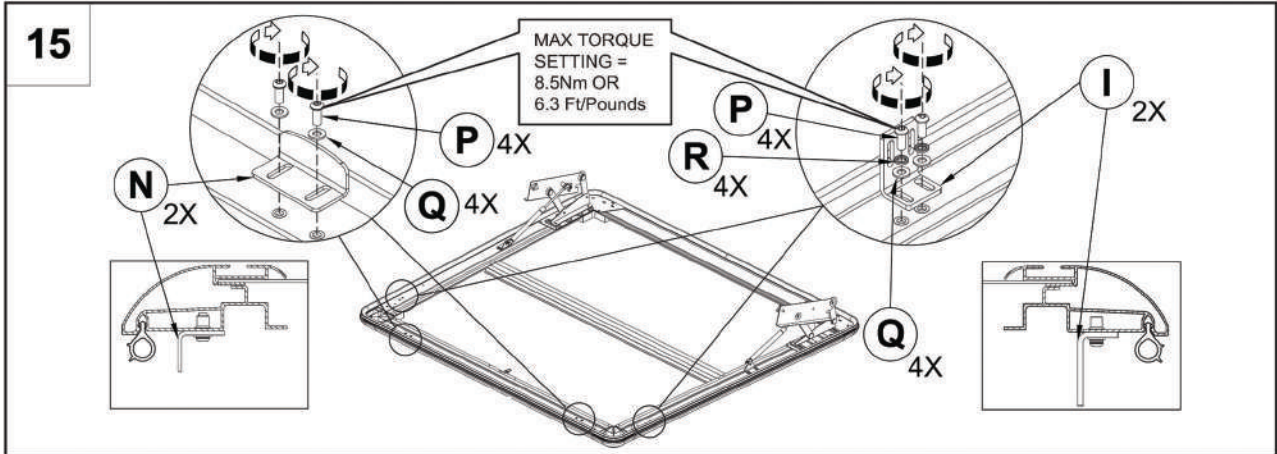
 DO NOT apply below 15°C.
Apply pressure to part. Adhesive is pressure activated.
Allow 3hrs minimum to cure before installing lid

8



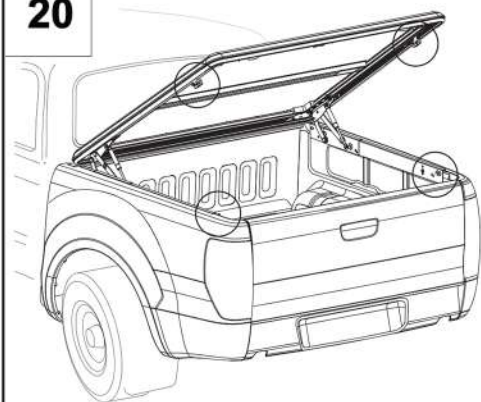


Vehicle Model	□	⊖	Σ
Nissan Navara NP300 Double & King cab	25mm	25mm	-

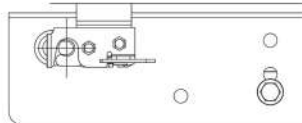
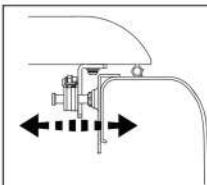
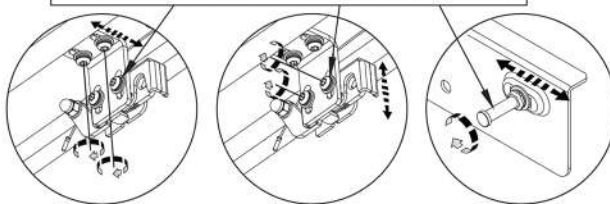


Fitting kit number	Article	Revision	Date	Page
K408	Tonneau cover UpStone	1	01.09.2016	5 sur 7

20

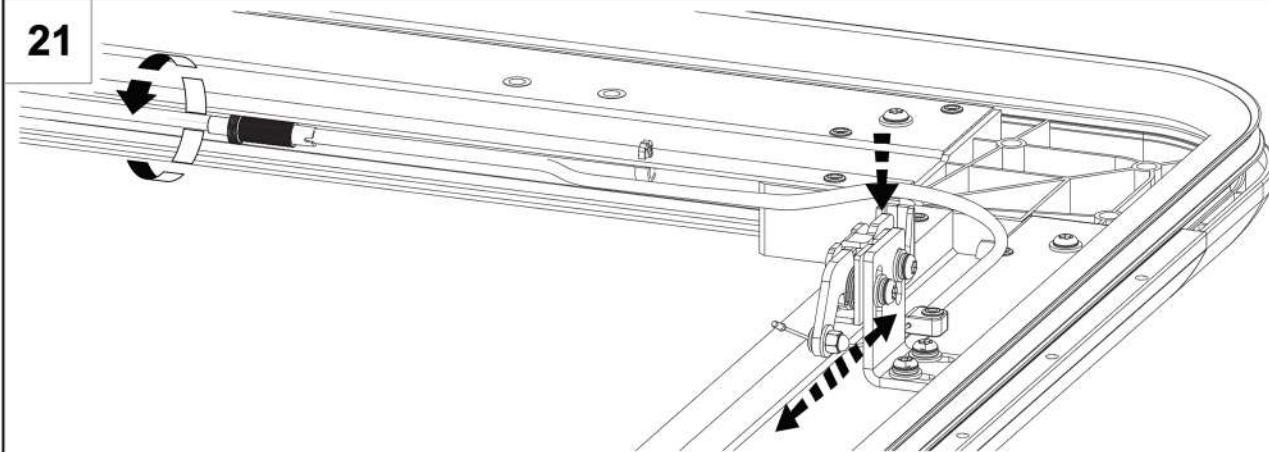


MAX TORQUE SETTING = 8.5Nm OR 6.3 Ft/Pounds



Adjust latch bracket, latch height and pin location to align pin with centre of latch. Adjust cable tension to achieve correct latching. **IMPORTANT!** : Ensure seal contacts vehicle in all areas

21

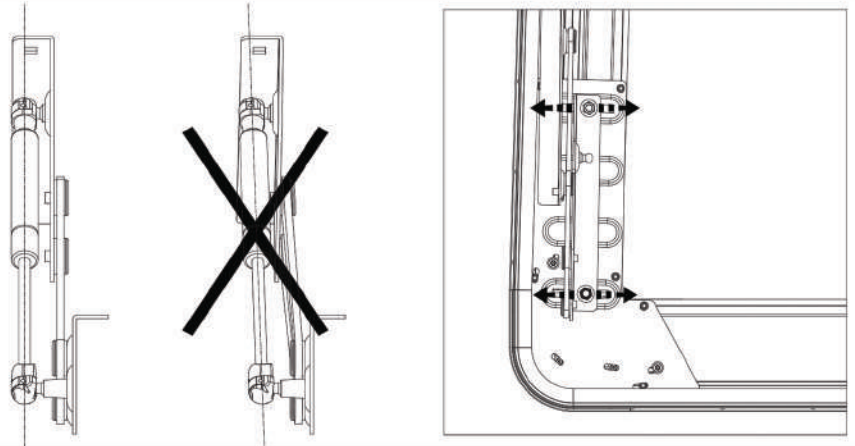


Fitting Kit Number	Product	Revision	Date	Page
K408	Upstone Lid	1	26-09-2013	6 of 7

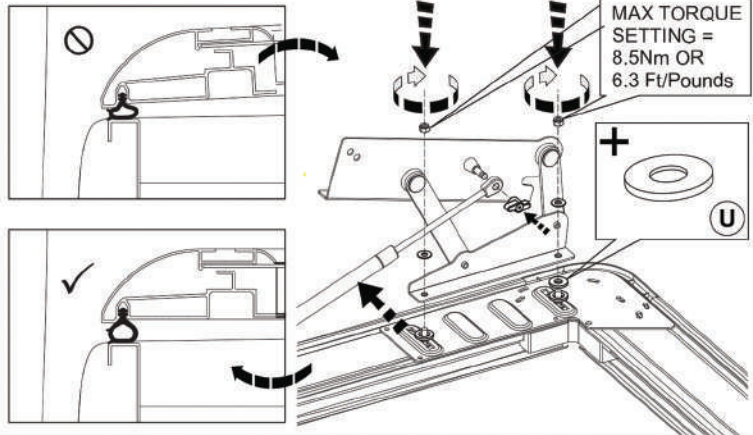
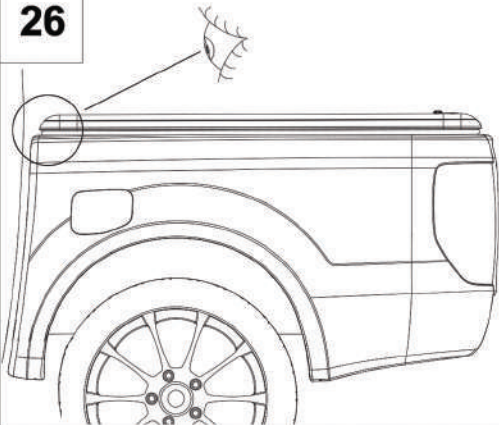
25



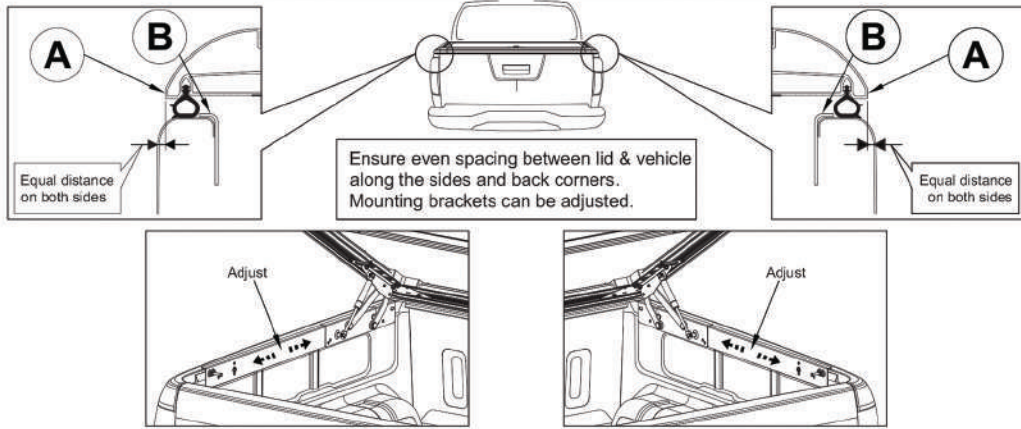
Insure hinge is not twisted.
Adjust connection to lid if necessary.



26



27



After installation carefully and thoroughly clean all debris from the inside of the cargo box.
Retain these instructions for future reference

CAUTION!

- NEVER allow people or animals under the closed cover
- Do not place unsealed solvents or chemicals under the cover
- Do not stand or place heavy objects on the cover
- Do not open lid when under load.
- Close the cover before operating the vehicle
- Do not allow oil, solvents or chemicals to contact the cover
- Clean only with a mild detergent and water solution

Fitting Kit Number	Product	Revision	Date	Page
K408	Upstone Lid	1	26-09-2013	7 of 7



Item Code

RLB76A

:

RLB76AB

Codice Articolo

Référence Article

GB












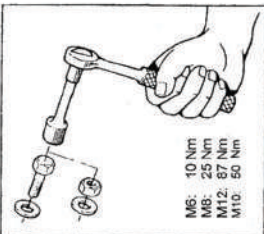
STAINLESS STEEL
MEDIUM BAR

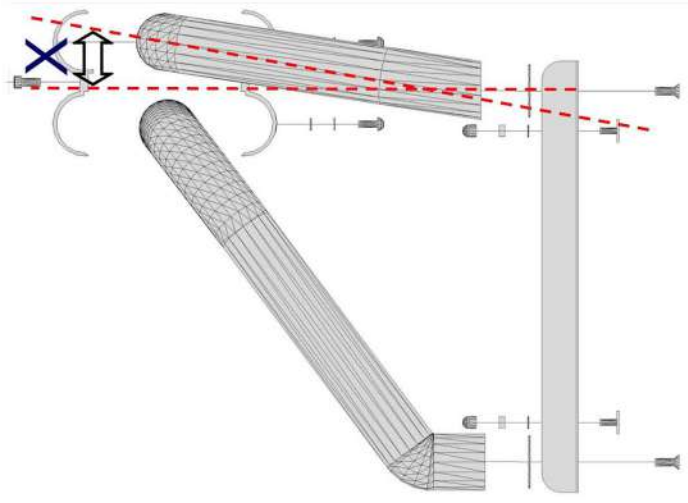
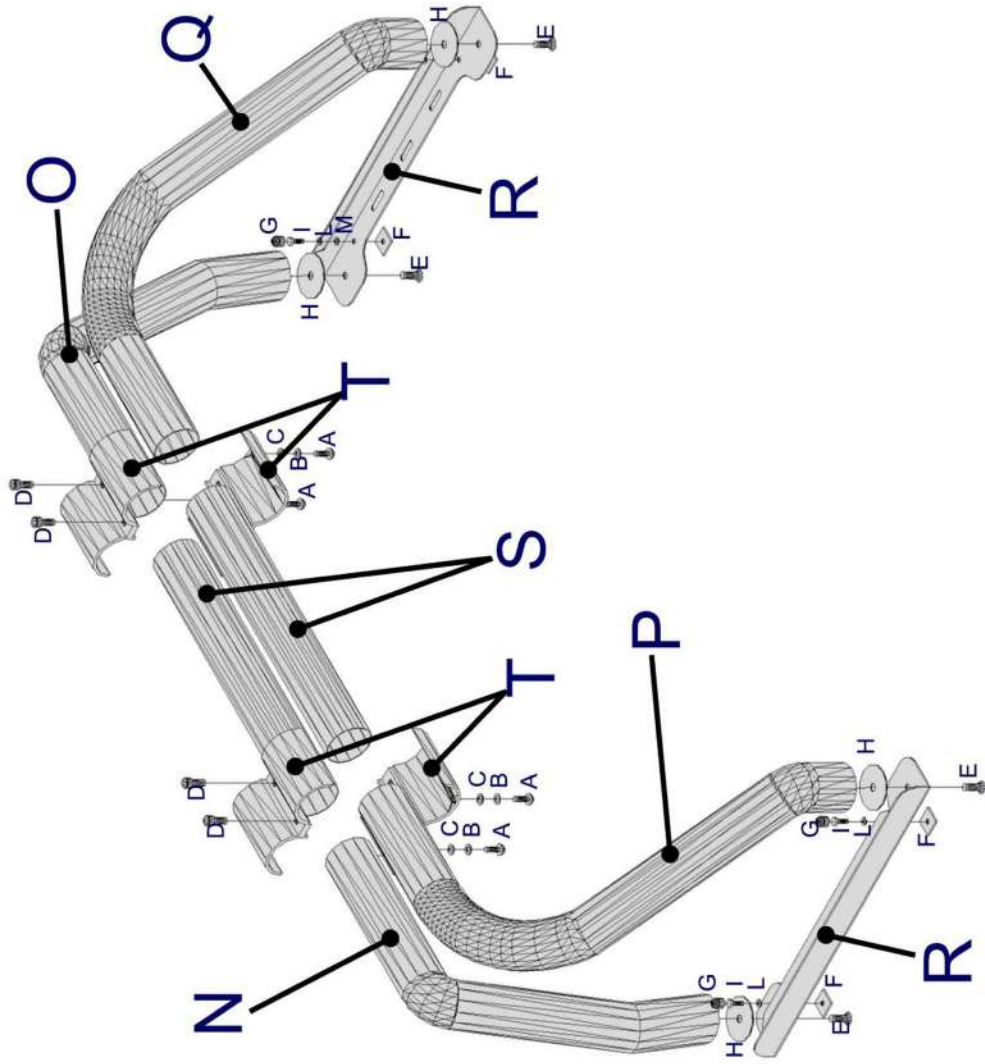
FR

MEDIUM BAR
EN ACCIER INOX

Part List

Liste des pièces

A	 TBCEI 8X25 x 4	 Ø 8 x 4	 Ø 8 x 4	 TCEI 10X25 x 4	 TSPEI M10X25 x 4
F	 M6 x 4	 Cappelletti M 6 x 4	 VIPLA Ø 80 x 4	 I TE 6X15 x 4	 L BIG Ø 6 GRAND x 4
M	 Ø 6 x 4	N AS7/SX x1	O AS7/DX x1	P PS7/SX x1	Q PS7/DX x1
R	RLS/7TR x2	S RLB/06 x2	T RLB Ø76 x2		



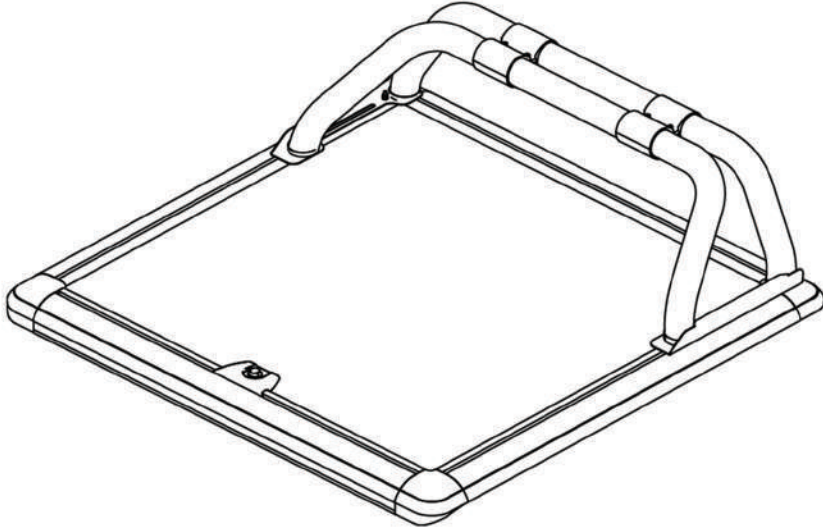
WARNING: fit the N and O front bends as shown in the drawing

ATTENTION: monter les curves anterieures N et O comme indique dans le dessin.

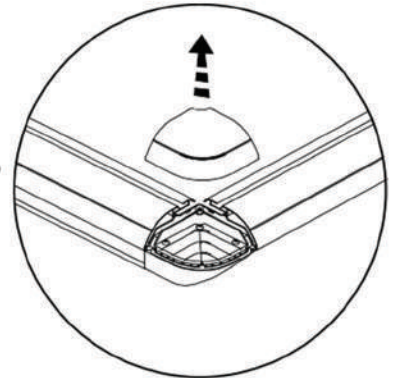
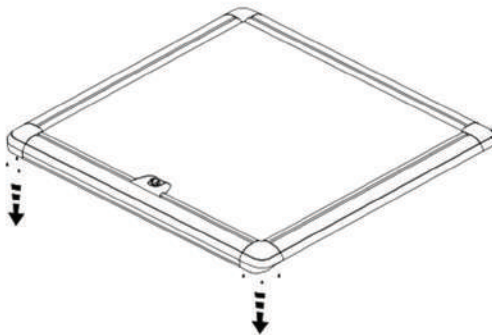
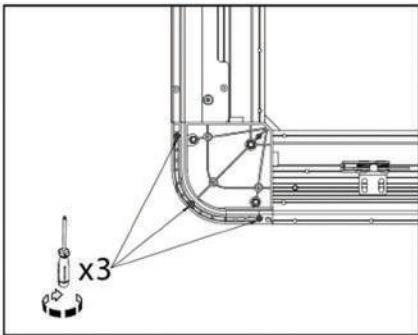
UpStoneEvolve

INSTALLATION INSTRUCTIONS WITH ROLL BAR

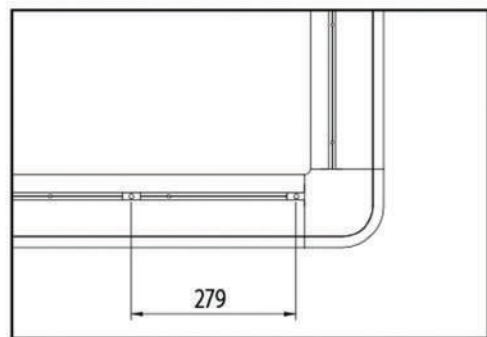
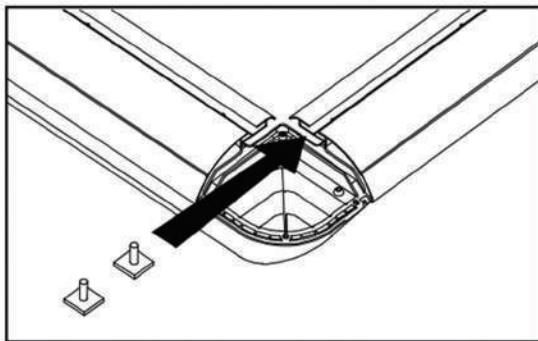
RLB76



- 1** Remove caps by unscrewing the 3 screws in the back corner both left and right.



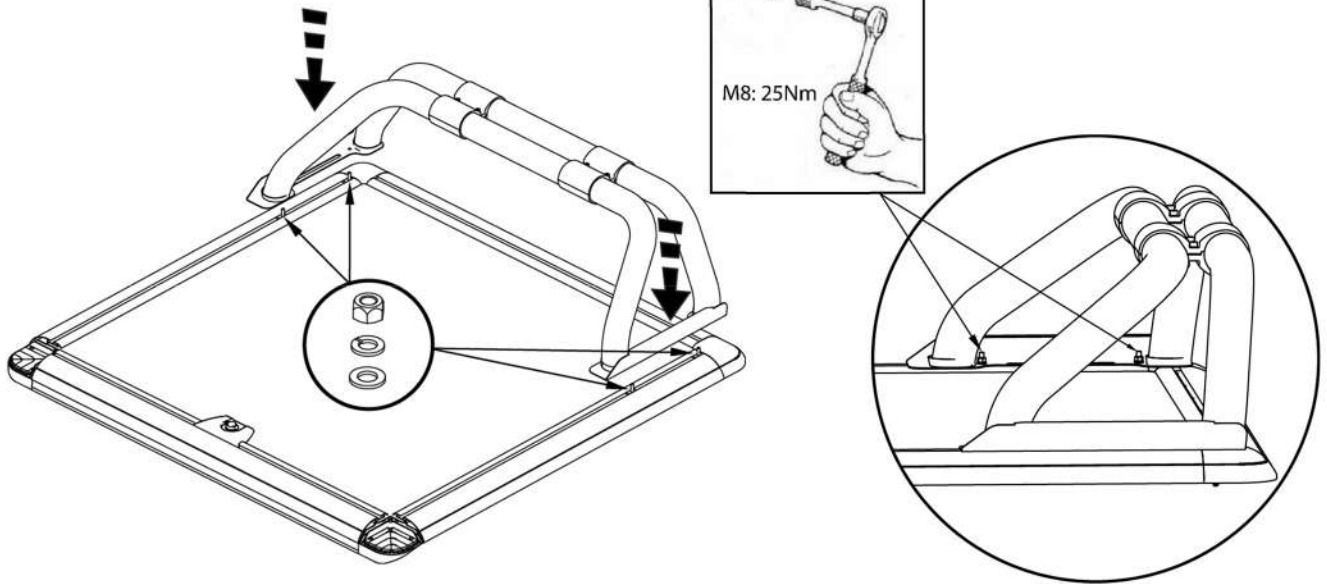
- 2** Insert 2 x Square bolts in both the left and right rails.



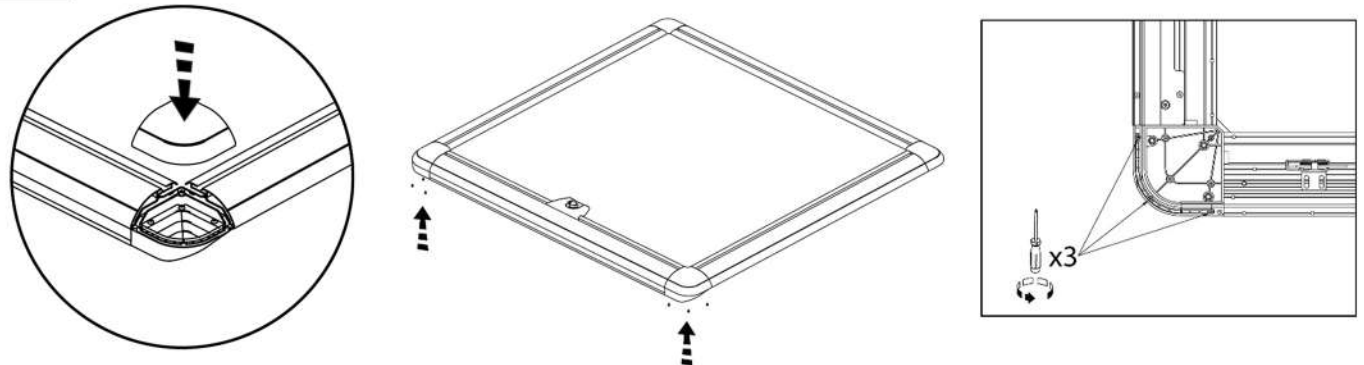
Fitting Kit Number	Product	Revision	Date	Page
RLB76F	Medium SS Bar	1	29.09.2017	1 of 2

3

Place the sport bar onto the cover aligning the holes on the foot plate with the square bolts inserts.
Fix with nut, spring washer and washer.

**4**

Replace the caps on the covers corners



Fitting Kit Number	Product	Revision	Date	Page
RLB76F	Medium SS Bar	1	29.09.2017	2 of 2

UpStoneEvolve

Info@upstone.fr